

Name:	
Enrolment No:	

UNIVERSITY OF PETROLEUM AND ENERGY STUDIES
Online End Semester Examination, December 2020

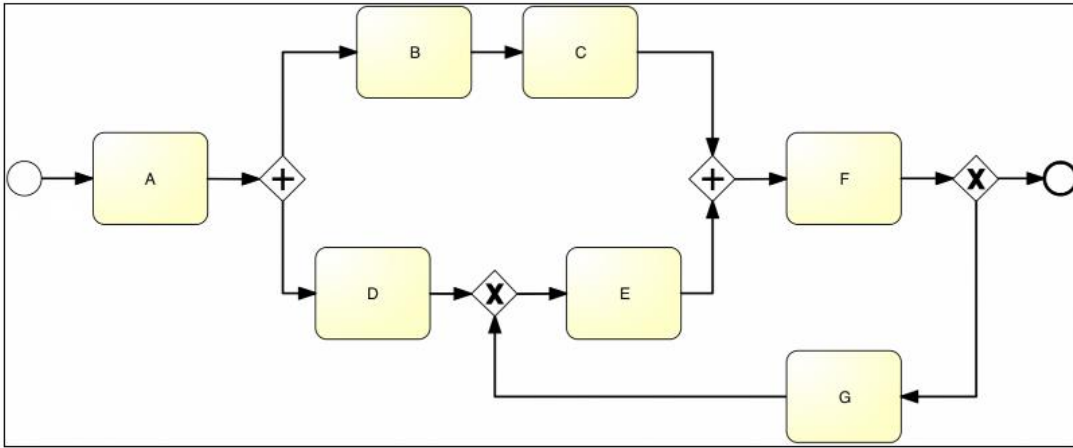
Course: Business Process Management-1
Programme: B.Tech CS-CCVT
Course Code: CSIB 481

Semester: 7th
Time: 03 hrs.
Max. Marks: 100

SECTION A

1. Each Question will carry 5 marks
2. Instruction: Complete the statement / Select the correct answer(s)

S. No.	Question	Marks	CO
Q1	Information management involves four steps _____, _____, _____ and _____. a) Hardware, Software, DBMS, Data communication b) Diagnosis, Design, Software, Hardware c) Diagnosis, Evaluation, Design, Implementation d) None of these	5	CO1
Q2	What does challenge of correlation refers to in the context of event log extraction? a) It refers to the problem of finding connections between rankings of data elements. b) It relates to the problem of ordering the events on the time axis. c) It refers to the problem of identifying the case an event belongs to. d) It refers to the problem of grouping events with high and low values.	5	CO2
Q3	What does separation of duties mean? a) Two processes are not allowed to interact. b) Two tasks are not allowed to be executed by the same participant. c) Two participants are not allowed to view the same data. d) Two data objects are not allowed to be used in the same process.	5	CO3
Q4	If a task has two output arcs (also called flows), it is the same as if the task was followed by an: a) XOR-split b) XOR-join c) AND-split d) AND-join e) OR-split f) OR-join	5	CO3
Q5	The following BPMN diagram contains an incorrect gateway. Which one?	5	CO2



- a) The AND gateway following task A
- b) The XOR gateway following task D
- c) The AND gateway preceding task F
- d) The XOR gateway following task F

Q6	Which of the following is NOT a task? a) Check insurance policy details b) Insurance policy does not cover the damage c) Calculate settlement amount d) Determine if customer is liable for damage	5	CO1
-----------	----------------------------------------------------------------------------------------------------------------------------------------------------------------------------------------------------------------	----------	------------

SECTION B

- 1. Each Question will carry 10 marks
- 2. Instruction: Write short / brief notes

Q7	With the help of a diagram show variant of reseller process with interacting business process.	10	CO1
Q8	List the functions in detail that are executed by the services when a task is fetched for at the time of initialization of BPD.	10	CO3
Q9	Using examples bring out the importance of business process re-engineering.	10	CO2
Q10	Discuss on “Cloud computing association with BPM is nothing more than SaaS”.	10	CO2
Q11	“BPM activities are manifold” Explain. <p style="text-align: center;">OR</p> Explain the characteristics that can be used to model different types of sub-processes in a BPD.	10	CO1

SECTION-C

- 1. Each Question will carry 20 marks
- 2. Instruction: Write long answer

Q12	Design a BPM process diagram for Business to Business collaboration. <p style="text-align: center;">OR</p> Give an overview of Process modeling in IBM BPM. Also illustrate using a diagram the life cycle of a typical process under development.	20	CO3
------------	------------------------------------------------------------------------------------------------------------------------------------------------------------------------------------------------------------------------------------------------------------------	-----------	------------